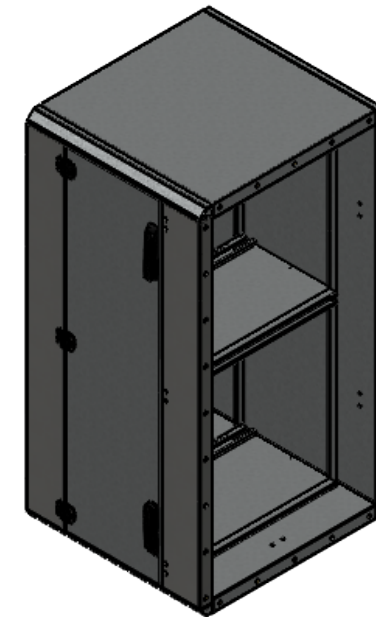
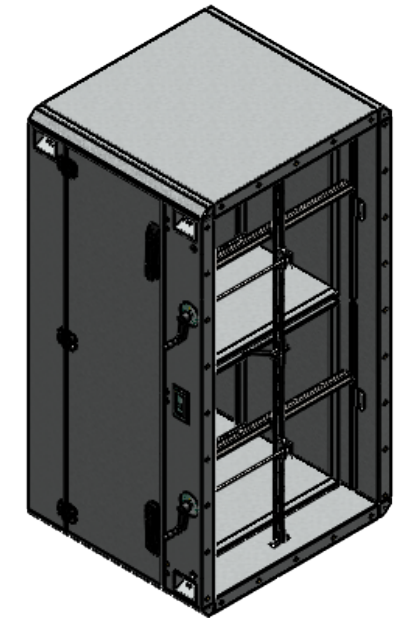


TYPE:	DEPTH	EXTERNAL		INTERNAL		FLANGE HOLE		FLANGE HOLE C-C	
		D	B	H	B1	H1	F1	F2	C-C B
1010	650	707	707	615	615	665	665	140	140
1020	650	707	1322	615	1230	665	1280	140	150
1030	650	707	1937	615	1845	665	1895	140	150
2010	650	1322	707	1230	615	1280	665	150	140
2020	650	1322	1322	1230	1230	1280	1280	150	150
2030	650	1322	1937	1230	1845	1280	1895	150	150

CamCube AD



CamCube AS



UNLESS OTHERWISE SPECIFIED:				DEBUR AND BREAK SHARP EDGES		DO NOT SCALE DRAWING		REVISION -01	
ACC. TO 3D CAD DIMENSIONS ARE IN MILLIMETERS						TITLE: CamCube AS CamCube AD			
DRAWN	NAME	SIGNATURE	DATE						
	thuresjo		2017-04-12	MATERIAL:		DWG NO.		A3	
CHK'D				WEIGHT:		SCALE:1:20		SHEET 1 OF 1	
APPV'D									
MFG									
Q.A									